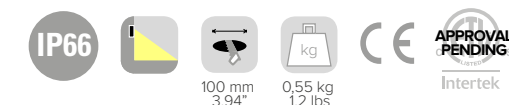
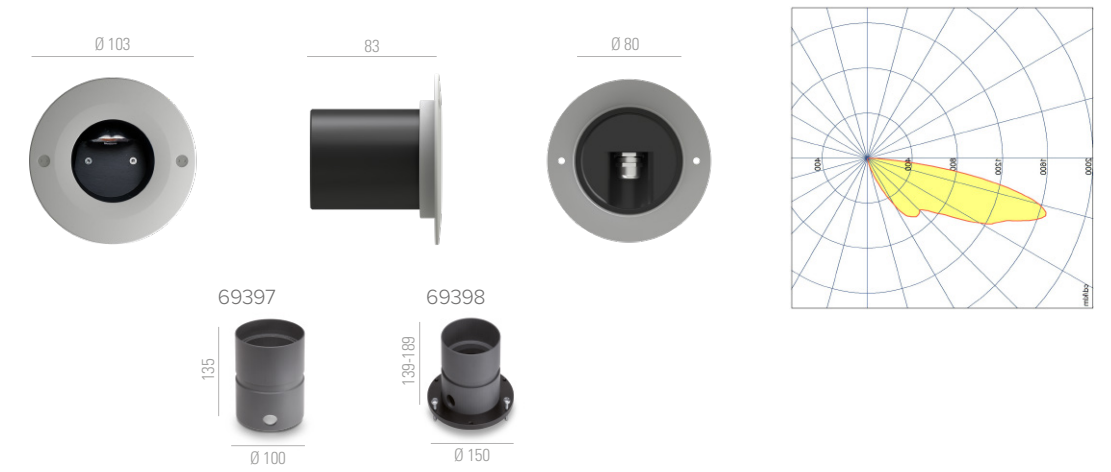
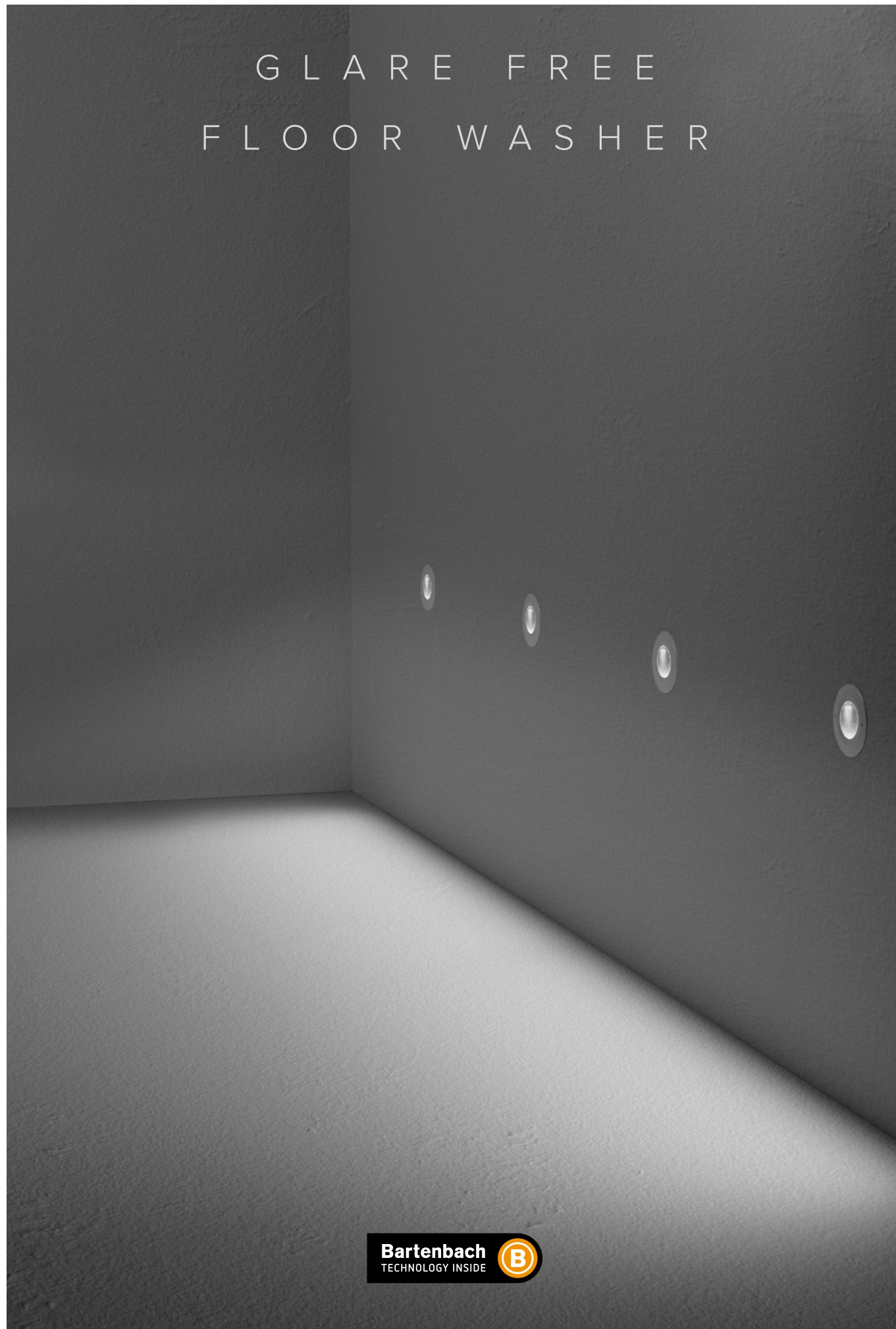


ATRIA FW NEW

SPECIFICATIONS

base code	66129
typology	Recessed wall mounted floor washer
mounting	In concrete using housing box (code: 69397 or 69398) to be separately ordered as accessory
diameter	103 mm / 4.06"
height	83 mm / 3.27"
required depth	Depending on housing box
first fit requirement	Yes, separate housing box: code 69397 or code 69398 (adjustable height)
surface cut out	100 mm / 3.94"
construction	Fixture and flange: turning and milling aluminum. Lens: Polycarbonate Protective glass or PMMA complete with silicone gasket. Housing box: PVC
finishes	Anodized or powder coated
ingress protection	IP66
lamp type	LED array on printed circuit board. Remote power supply not included
lamp wattage	8W at 48V DC. North America 5W at 24V DC
lamp lumens	8W: 720lm 5W: 450lm
delivered lumens	8W: 528lm 5W: 360lm
lumen maintenance	50.000h L90
beam	Asymmetric reflector by Bartenbach®: 5° - 75° towards the floor
kelvin	2700K CRI93 and 3000K CRI93 / 3 step MacAdam ellipse
special features	48V DC: built-in unpolarized electronic system. 24V DC: built-in reverse polarity protection. Hot plug and electronic control of the operating temperature that guarantees that the fixture will last with ambient temperature up to 60° C / 140° F. Designed with a asymmetric reflector to produce glare free homogeneous light distribution on the floor. The floor wash begins with the end of the wall
dimming options	Push button, potentiometer, 0-10V, DALI, DMX, KNX. Dimming options depend on power supply and additional control units to be separately ordered as accessories
standards	CE, UL approval pending



ATRIA FW

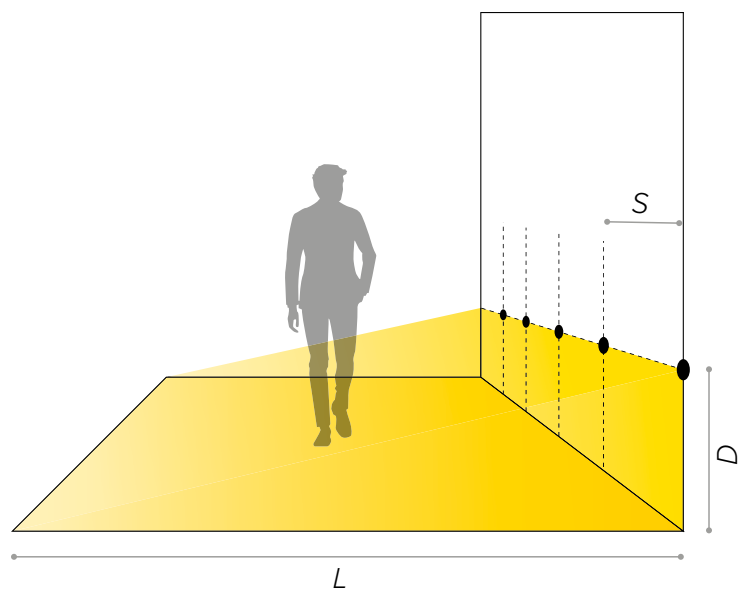
ORDER CODE

BASE CODE	A . POWER SUPPLY	B . KELVIN	C . BEAM	D . FINISHES	E . OTHER
66129	8 48V DC EXCL. power supply R listed 24V DC EXCL. power supply	5 3000K CRI93 8 2700K CRI93	W Wall washer	1 grey anodized 6 white RAL 9003	
Example: BASE CODE 66129 A 8 B 8 C W D 6 E = 66129 88W6					

Every lighting project is different; use the positioning guide below as a starting point for your floor wash design.

To further test the desired effect for your project, use the photometric files available on B LIGHT's website.

For a good light uniformity on the floor, the spacing between two luminaires (S) and the distance from the floor (D) should be the same



$$S, D = L / 5$$

Example			
L	2500 mm / 98"	S, D	500 mm / 20"
L	3000 mm / 118"	S, D	600 mm / 24"
L _{MAX}	5000 mm / 197"	S, D _{MAX}	1000 mm / 39"

ATRIA FW

ACCESSORIES

REQUIRED ACCESSORIES - NOT INCLUDED



code	description	dimensions mm
69397	housing box for concrete	Ø100xH135
69398	adjustable housing box for concrete	Ø150xH139-189

code	output power	input voltage / frequency	IP	dimensions mm
69180	30W	90-264V	47-63Hz IP20	L160xW46xH30
69181	40W	90-305V	47-63Hz IP67	L163xW43xH32
69182	60W	90-305V	47-63Hz IP67	L163xW43xH32
69187	100W	90-305V	47-63Hz IP67	L220xW68xH39
69188	150W	90-305V	47-63Hz IP67	L228xW68xH39
69185	40W	90-305V	47-63Hz IP67	L171xW62xH37
69186	60W	90-305V	47-63Hz IP67	L171xW62xH37
69187	100W	90-305V	47-63Hz IP67	L220xW68xH39
69188	150W	90-305V	47-63Hz IP67	L228xW68xH39
69195	75W	100-305V	47-63Hz IP67	L180xW63xH36
69196	100W	100-305V	47-63Hz IP67	L199xW63xH36
69197	150W	100-305V	47-63Hz IP67	L219xW63xH36

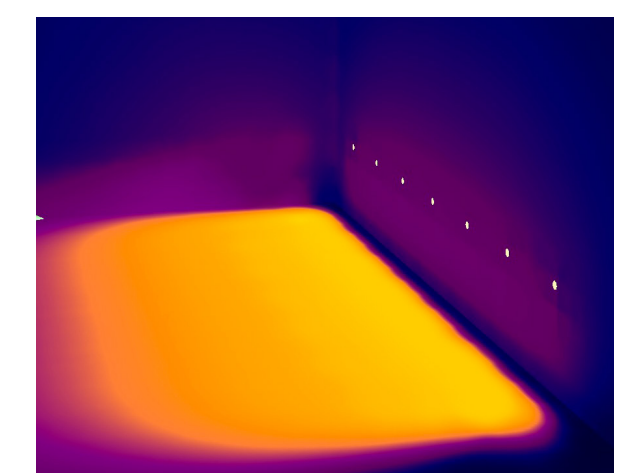
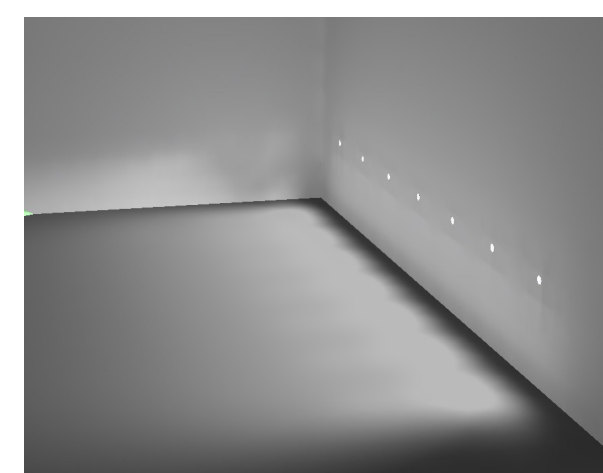
¹for a perfect dimming, it is necessary that the power supply is saturated to 100%

69096	55W	99-264V	50-60Hz IP20	L129xW76xH30
69097	120W	90-305V	47-63Hz IP67	L191xW63xH38

Consult **US distributor** Lites on West
 T: 212.775.6363
 E: info@litesonwest.com



code	description	dimensions mm
69842	IP68 connector, 1 IN - 1 OUT, 2 wires	W37xD22xH37
69847	IP68 connector, 1 IN - 2 OUT, parallel wiring, 2 wires	W45xD30xH17



*To choose the power supply, always add a spare 20% as safety margin.
 See pag 597 for cable size and max wiring distance from power supply to last connected luminaire